



Features

※Genuine energy efficient reliable alternative to existing HID light solutions. The LED stadium light offer an enhanced light output through a significantly more regular uniformity and more realistic and comfortable light colors.

※Energy savings of up to 50-80% over existing HID solutions. Combined with a 10+ year operational life at 24 hours daily usage and a zero planned maintenance over this period, this translates into major savings to municipalities



LUXEON SMD5050 MEANWELL DRIVER 5 Years Warranty

Mounted Height Recommendation

LED LIGHT	HID LIGHT
600W	2000W
1200W	4000W

Installation Type



Vertical column type



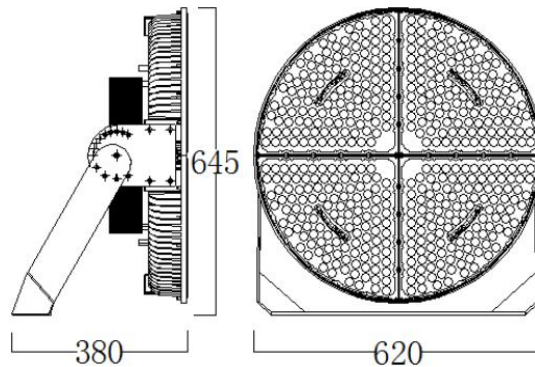
Bracket Type

Appication

Tunnel,soccer filed, large plaza,sport stadium filed



Measurement(mm)



Technical parameter

Model Number: ASTL-1200WR	Input: 90-305V AC (50-60Hz)
Power: 1200W	Driver: Mean Well Driver
Power Factor:0.92	Driver Output: 48V, 3-5A
CRI:Ra75-85	LED Quantity: 4x120pcs
LED Type: LUXEON SMD5050	Lumen: 135000-150000LM
Light Efficiency: 130-150Lm/W	Beam Angle: 10°/25°/65°
Colour: WW/NW/DW/CW	Waterproof: IP65
Material: Die-casting Aluminum+PC	Certification: CE/ROHS
Warranty: 5 years	Working Temperature:-30℃ - +50℃

Insturction

Warning

The rated operational voltage is AC90~305V, 50/60Hz. It should avoid vide voltage fluctuation. The input voltage should not be more than rated operational voltage.

Caution

※ The lamp must be installed by a professional electrician in accordance with the applicable and appropriate electrical codes and this instruction.

※ In order to prolong the life span of the lamp, please try to install the lamp under the condition which better for heat dissipation.

※First check if the site can afford the weight of 1.5 times of the lampt, if not, please do not install.

Maintanince

※ To keep best light effect, please clean the light on time (suggest once a year).

※ Clean the lamp only with a soft dry cloth, don't use chemical solvents, and only after switching off the electricity, to prevent the surface layer of rust-proof and antiseptic from being damaged.

※ Turn off power in case of any maintenance.

Warranty

Under normal usage and storage, we give 5 years warranty on all of our products from date of sale. Please note that any damage or breakdown caused by improper installation or application is out of warranty. Any failure is found in terms of product quality within warranty period. we will replace or change the product or component for free. If over the warranty period, we will charge the appropriate material and labor costs.